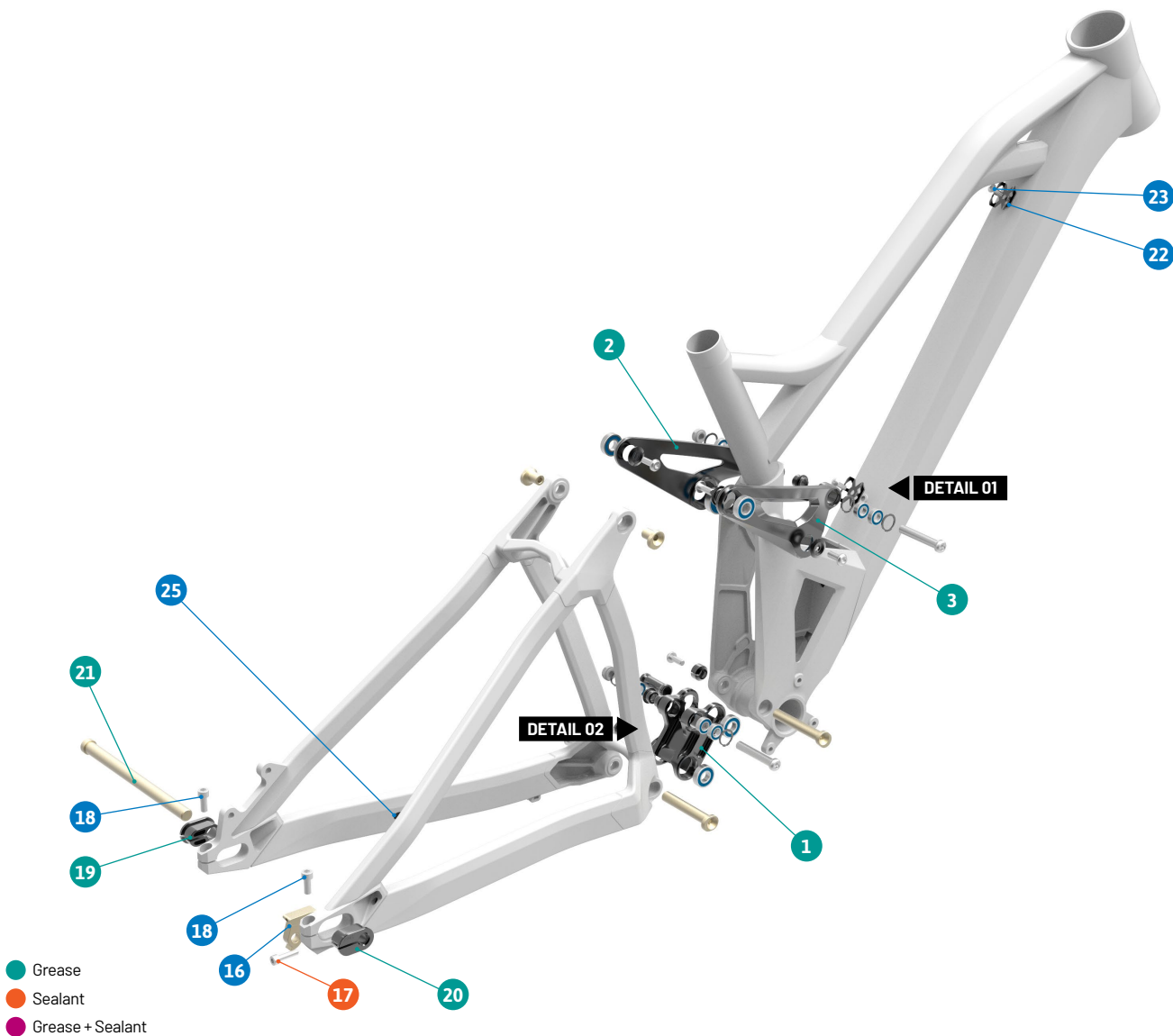


SUMMUM

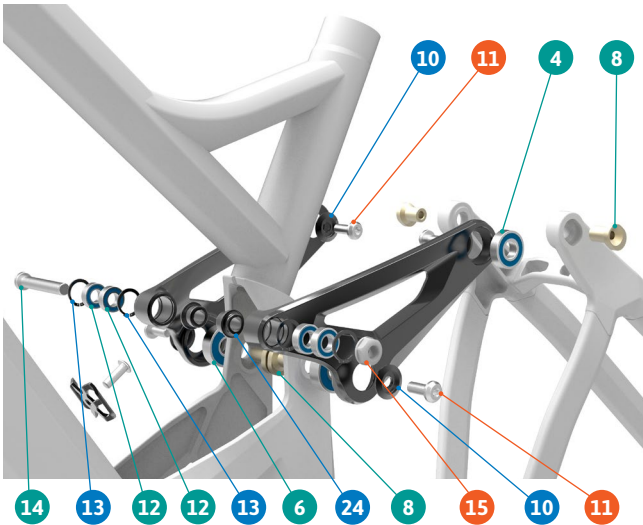
Spare Parts



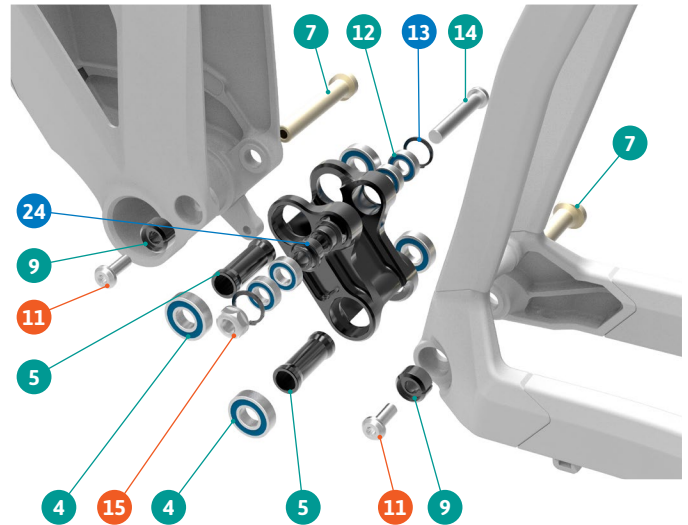
ITEM No.	DESCRIPTION	QTY.	PART NUMBER	TORQUE
1	LOWER LINK	1	099.13017	
2	UPPER LINK, LEFT	1	099.15015	
3	UPPER LINK, RIGHT	1	099.15016	
4	BEARING 6900-RS	6	SET1	
5	SPACER	2	SET 4	
6	BEARING 6000-2RS	2	SET1	
7	PIVOT AXLE	2	SET 4	
8	PIVOT AXLE	4	SET 3	
9	LOCK WASHER	2	SET 4	
10	BEARING CAP	4	SET 3	
11	SCREW M6X16	6	SET 3/4	10Nm
12	BEARING 688-RS	8	SET1	
13	O-RING	6	SET 2	

ITEM No.	DESCRIPTION	QTY.	PART NUMBER	TORQUE
14	SHOCK BOLT	2	SET 2	13Nm
15	BOLT NUT	2	SET 2	
16	HANGER	1	SET 5	
17	SCREW BOLT M5x20	1	SET 5	5Nm
18	SCREW BOLT M6x15	2		5Nm
19	RC 440mm ADAPTOR-L	1		
20	RC 440mm ADAPTOR-R	1		
21	HUB AXLE	1	099.12110	10Nm
22	CABLE HOLDER	2	099.15017	
23	SCREW BOLT M5x15	2		3Nm
24	SHOCK SPACER	4	SET 2	
25	CABLE RUBBER	1	989.13010	

DETAIL 01



DETAIL 02



SET 1	SET 2	SET 3	SET 4	SET 5
ZERO BEARING KIT 7	SHOCK HARDWARE ZERO 7	UPPER LINK HARDWARE KIT 10	LOWER LINK HARDWARE KIT 11	HANGER M051

PART NUMBER	DESCRIPTION	COMPONENTS
099.13103	SET 1: ZERO BEARING KIT 7	BEARING 6900-RS (x6) / BEARING 6000-2RS (x2) / BEARING 688-RS (x8)
099.13104	SET 2: SHOCK HARDWARE ZERO 7	O-RING (x6) / SHOCK SPACER (x4) / SHOCK BOLT M8 (x2) / BOLT NUT M8 (x2)
099.13105	SET 3: UPPER LINK HARDWARE KIT 10	M6X16 SCREW (x4) / PIVOT AXLE (x4) / BEARING CAP (x4)
099.13106	SET 4: LOWER LINK HARDWARE KIT 11	SPACER D14x35 (x2) / LOCK WASHER (x2) / M6X16 SCREW (x2) / PIVOT AXLE (x2)
099.13107	SET 5: HANGER M051	HANGER M051 (x1) / M5x20L-P SCREW BOLT (x1)
099.15900	ADJUSTABLE GEOMETRY KIT SUMMUM PRO TEAM 2015 T-S/M	DISC MOUNT 445 (x1) / DISC MOUNT 450 (x1) / DISC MOUNT 460 (x1) / CHIP RIGHT-LEFT 450 / CHIP RIGHT-LEFT 455 / CHIP RIGHT-LEFT 460 / HS ADAPTOR 1° (x2) / HS ADAPTOR 2° (x2) / HS ADAPTOR 0° (x2)
099.15901	ADJUSTABLE GEOMETRY KIT SUMMUM PRO TEAM 2015 T-L/XL	DISC MOUNT 445 (x1) / DISC MOUNT 450 (x1) / DISC MOUNT 460 (x1) / CHIP RIGHT-LEFT 450 / CHIP RIGHT-LEFT 455 / CHIP RIGHT-LEFT 460 / HS ADAPTOR 1° (x2) / HS ADAPTOR 2° (x2) / HS ADAPTOR 0° (x2)