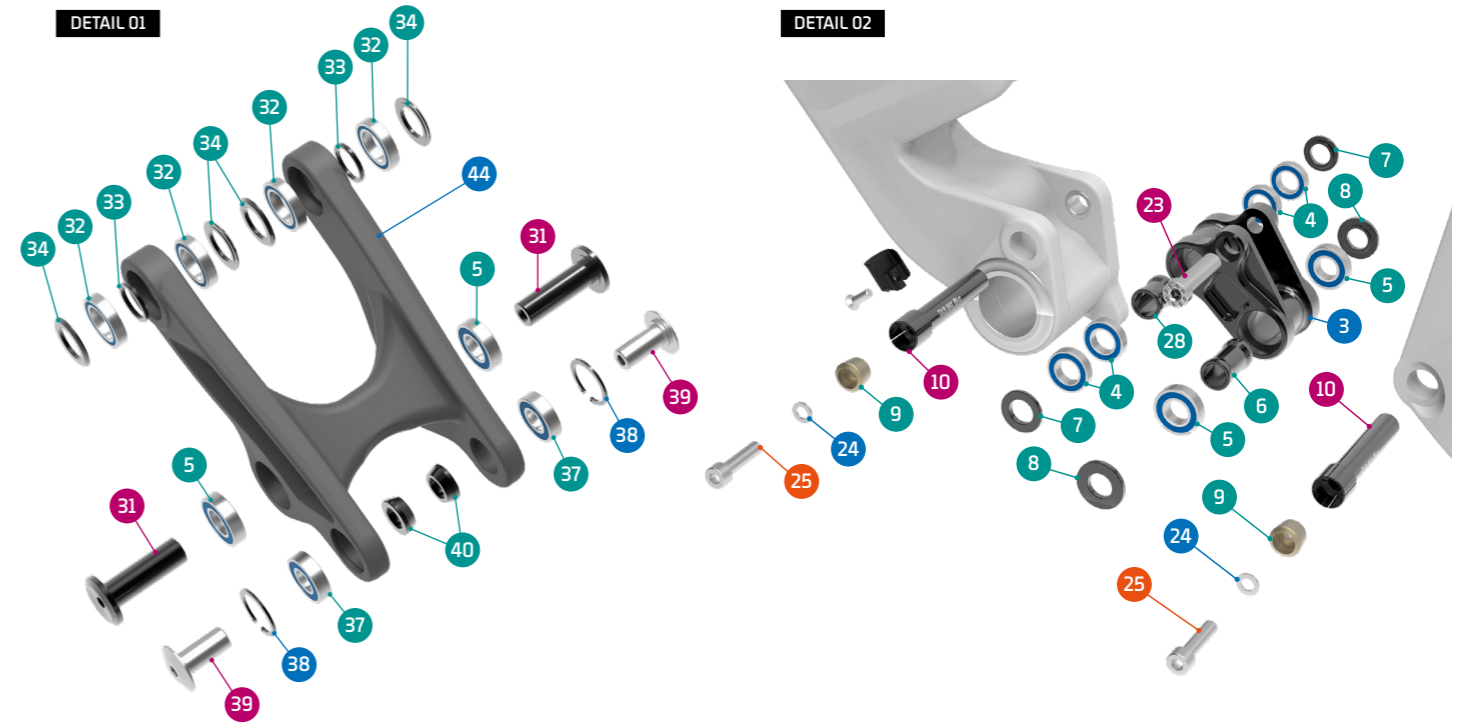


- Grease
- Threadlocker
- Grease + Threadlocker

Apply grease to the shaft, and locker to the threads

ITEM No.	DESCRIPTION	QTY.	PART NUMBER	TORQUE
1	FRONT TRIANGLE	1		
2	REAR TRIANGLE	1		
3	LOWER LINK	1		
4	BEARING, 12X21X5	4	SET 1	
5	BEARING, 12X24X6	4	SET 1	
6	SPACER, 27MM	1	SET 4	
7	SPACER, 3MM	2	SET 4	
8	SPACER, 3MM	2	SET 4	
9	TAPER NUT	2	SET 4	
10	PIVOT AXLE, 70,5MM	2	SET 4	8Nm
11	CS-CHIP, LEFT, OUTER	1	SET 6	
12	CS-CHIP, LEFT, INNER	1	SET 6	
13	CS-CHIP, RIGHT, INNER	1	SET 5	
14	CS-CHIP, RIGHT, OUTER	1	SET 6	
15	SCREW BOLT	4	SET 6 / SET 5	4Nm
16	CABLE RUBBER	5	989.13010	
17	CABLE HOLDER	2	099.16004	
18	CABLE HOLDER	2	099.15012	
19	FENDER	1	099.16003	
20	SCREW BOLT M5x15	4	099.15002	3Nm
21	DISC MOUNT	1	099.16007	
22	SCREW BOLT M6x16	2	099.13006	8Nm
23	SLEEVE BOLT	1	SET 2	16Nm

ITEM No.	DESCRIPTION	QTY.	PART NUMBER	TORQUE
24	SPACER	2	SET 4	
25	SCREW BOLT M6x25	2	SET 4	10Nm
26	SEAT CLAMP	1	SET 7	
27	SCREW BOLT M5x20	1	SET 7	5Nm
28	SPACER, 19MM	1	SET 4	
29	SCREW AXLE	1	SET 3	
30	CHAIN PROTECTOR	1	099.16005	
31	PIVOT AXLE	2	SET 3	11Nm
32	BEARING, 24X15X5	4	SET 1	
33	SPACER, 15x19x2t	2	SET 3	
34	SPACER, 15x27x2	4	SET 3	
35	PIVOT AXLE, 26MM	2	SET 3	12Nm
36	PIVOT AXLE, M12	2	SET 3	
37	BEARING, 10x22x6	2	SET 1	
38	C-RING	2	SET 3	
39	SHOCK BOLT	2	SET 2	8Nm
40	SPACER, 10x17x6	2	SET 2	
41	WASHER, 12x18x3	2	SET 3	
42	PIVOT AXLE	1	SET 9	
43	SPACER	1	SET 9	
44	UPPER LINK	1		
45	PROTECTOR DUNE CARBON DT	1	099.16012	
46	SEAT STAY PROTECTOR	1	099.16006	



PART NUMBER	DESCRIPTION	COMPONENTS
099.19108	SET 1: ZERO BEARING KIT 16	BEARING 6901V-2R5 (x4) / BEARING 6801V-2R5 (x4) / BEARING 6900V-2R5 (x2) 6802V-2R5 (x4)
099.18102	SET 2: SHOCK HARDWARE ZERO 10	SPACER, 10x17x6 (x2) / SHOCK BOLT (x2) / SLEEVE BOLT (x1)
099.19006	SET 3: UPPER LINK HARDWARE KIT 23	C-RING (x2) SPACER, 15x19x2t (x2) SPACER, 15x27x2 (x4) PIVOT AXLE (x2) PIVOT AXLE, 26MM (x2) PIVOT AXLE, M12 (x2) SCREW AXLE (x1) WASHER, 12x18x3 (x2)
099.16105	SET 4: LOWER LINK HARDWARE KIT 16	SPACER D23.5XD12x3mm (x2) / SPACER D20.5XD12x3mm (x2) / SPACER D10XD6X1mm (x2) / TAPER NUT 10.5mm (x2) / M6x25L-P-S SCREW BOLT (x2) / PIVOT AXLE M12X70.5mm (x2) / SPACER D16xD12x27 (x1) / SPACER D16xD12x19mm (x1)
099.00050	SET 5: HANGER M065	HANGER M065 + SCREW BOLT (x2)
099.00052	HANGER +10mm	HANGER M065 (+10mm) + SCREW BOLT (x2)
099.16106	SET 6: DROPOUT KIT DUNE C	CS-CHIP, LEFT, OUTER (x1) / HANGER M065 LEFT (x1) / CS-CHIP, RIGHT, OUTER (x1) / SCREW BOLT (x4)
099.16100	GEOMETRY KIT DUNE C S/M	HEADSET CUP, LOWER +/-1° (x1) / HEADSET CUP, UPPER, 110L +/-1° (x1) / HEADSET CUP, LOWER 0° (x1) / HEADSET CUP, UPPER 0° (x1) / CS-CHIP, LEFT, OUTER +10mm (x1) / CS-CHIP, RIGHT, OUTER +10mm (x1) / HANGER M065 LEFT +10mm (x1) / HANGER M065 +10mm (x1) / DISC MOUNT +10mm (x1) SCREW BOLT (x4)
099.16101	GEOMETRY KIT DUNE C L	HEADSET CUP, LOWER +/-1° (x1) / HEADSET CUP, UPPER, 120L +/-1° (x1) / HEADSET CUP, LOWER 0° (x1) / HEADSET CUP, UPPER 0° (x1) / CS-CHIP, LEFT, OUTER +10mm (x1) / CS-CHIP, RIGHT, OUTER +10mm (x1) / HANGER M065 LEFT +10mm (x1) / HANGER M065 +10mm (x1) / DISC MOUNT +10mm (x1) / SCREW BOLT (x4)
099.16102	GEOMETRY KIT DUNE C XL	HEADSET CUP, LOWER +/-1° (x1) / HEADSET CUP, UPPER, 130L +/-1° (x1) / HEADSET CUP, LOWER 0° (x1) / HEADSET CUP, UPPER 0° (x1) / CS-CHIP, LEFT, OUTER +10mm (x1) / CS-CHIP, RIGHT, OUTER +10mm (x1) / HANGER M065 LEFT +10mm (x1) / HANGER M065 +10mm (x1) / DISC MOUNT +10mm (x1) / SCREW BOLT (x4)
099.15013	SET 7: SEAT CLAMP + BOLT	SEAT CLAMP (x1) / SCREW BOLT (x1)
099.19007	SET 9: REAR AXLE SET DUNE C 2019	PIVOT AXLE (x1) / SPACER (x1)